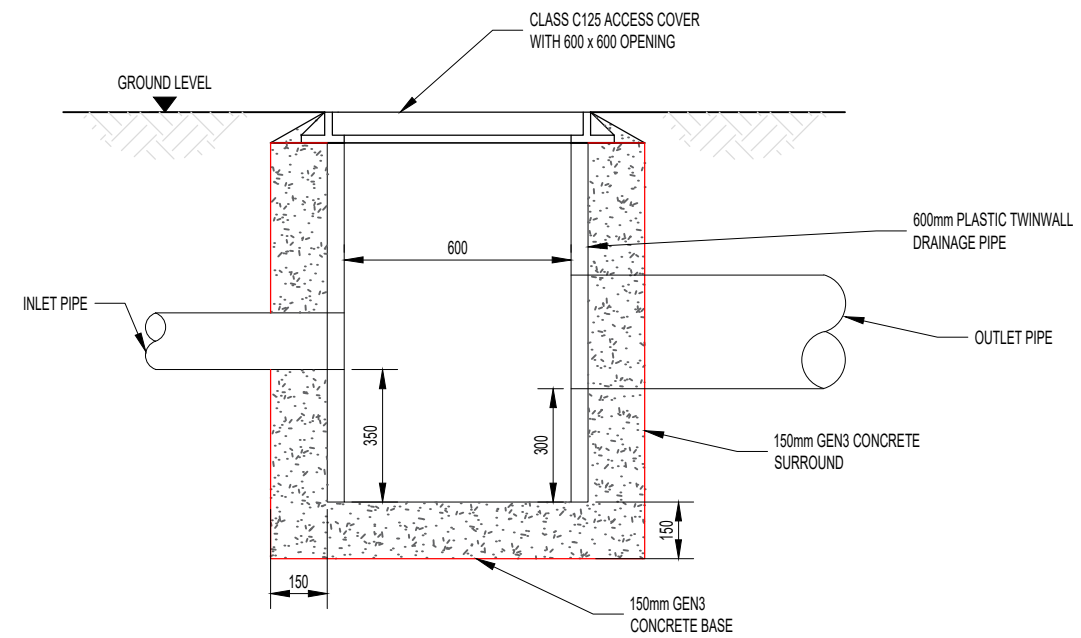
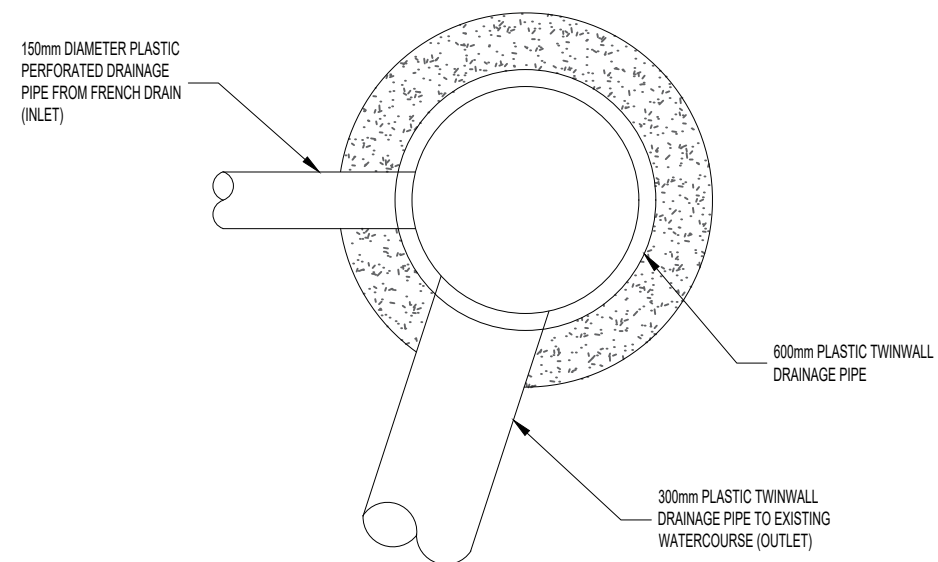


TYPICAL CROSS SECTION

SCALE 1:20

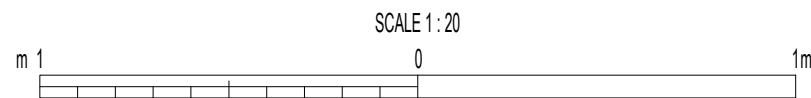
NOTES

1. ALL DIMENSIONS IN MILLIMETRES AND ALL LEVELS IN METRES ABOVE ORDNANCE DATUM UNLESS SHOWN OTHERWISE.
2. REFER TO DRAWING NO. 001 FOR ACCESS ROAD LAYOUT.
3. REFER TO DRAWING NO. 002 FOR ACCESS ROAD LONG SECTION.



CATCH PIT DETAIL

SCALE 1:20



SCHEME	MYNYDD TY MAWR	SKETCH TITLE	ACCESS ROAD TYPICAL DETAILS	DRAWING BY.	G AP GWYNDAF	DATE	28/04/2021
				DRAWING NO.	008		