

- NOTES:
1. Do not scale from this drawing.
  2. Always work to noted dimensions.
  3. All dimensions are in millimetres unless otherwise stated.
  4. All setting out, levels and dimensions to be agreed on site.
  5. The dimensions of all materials must be checked on site before being laid out.
  6. This drawing must be read with the relevant specification clauses and detail drawings.
  7. Order of construction and setting out to be agreed on site.

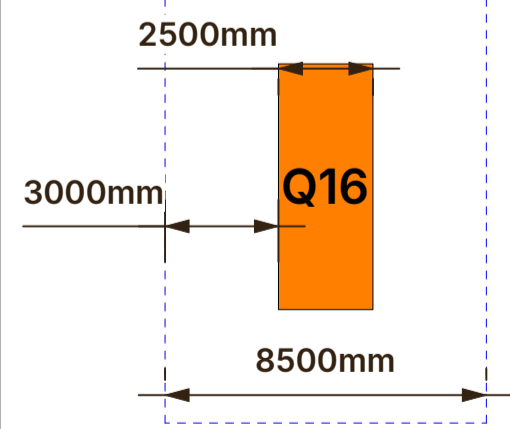
- KEY
- Planning Application Boundary
  - Flood Zone 2
  - Flood Zone 3
  - Surface water flood risk (no tent pitch allocation zone)
  - Mixed use pitch (with 3m offset) ID: Letter followed by number, eg. A1
  - Tent pitch allocation: ID 'TE'
  - Bins
  - Fire Hydrant
  - Fire Assembly Point
  - Water points
  - Existing building - toilet block - Cae Du
  - Proposed building - toilet block - Cae Canol

**SITE LICENCE STANDARDS**

**Pitch Referencing**  
All pitches are allocated a letter and number reference. E.g S1. The reference identifies zones across the whole site, to be reflected through on site maps, signage and wayfinding. This is based on the existing pitch ID.

**Pitch Numbers:**  
Cae Du = No. 146 Pitches  
Cae Canol = No. 91 Pitches  
Total = No. 237 Pitches

**Pitch fire services regulations:**  
Each pitch has a 3m offset plotted to ensure site licence regulations for fire safety are adhered to.

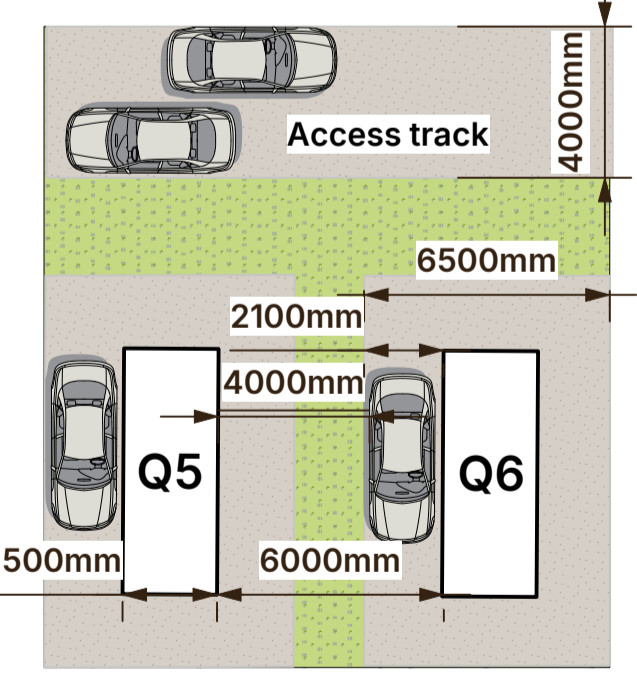


**Toilets : WC's**  
Provision for new pitches in Cae Canol is 1 WC and 1 urinal for men and 2 WC's for women per 30 pitches. These are installed in within the new toilet block in Cae Canol and within th existing buildings in Cae Du. Details below extracted from the Gwynedd Site licensing model standards

TOILETS & CHEMICAL CLOSETS - GUIDE	NUMBER OF FACILITIES - MEN							NUMBER OF FACILITIES - WOMEN							Model Standards 1983
	30	45	60	75	90	105	120	30	45	60	75	90	105	120	
Scale of provision per number of pitches															4.1
Number of WC's	1	3	4	5	6	7	8	2	3	4	5	6	7	8	4.1
Number of Urinals	1							NA	NA	NA	NA	NA	NA	NA	4.1

**Typical detail of multi user hardstanding pitch with allocated parking.**

6 m between each touring unit, with 3 m clear space within the 6 m separation.



Hardstanding Pitches

Revision	Date	Description	Drawn	Apprvd.
P09	12/02/25	Updates to pitch layout	BH	SR
P08	10/02/25	Revised location of toilet blocks	BH	SR
P07	21/01/25	Updated with new toilet block	BH	SR
P06	07/01/25	Added site licence regs Add Cae Canol to red line	BH	SR
P05	11/10/24	Unit numbers updated	MN	SR
P04	08/10/24	Layout updated to RLB	MN	SR
P03	17/09/24	Flood Zone Amendments	BH	SR
P02	13/08/24	Draft Layout for Review	MN	SR
P01	31/05/24	Draft Layout for Review	MN	SR

THIS DRAWING IS COPYRIGHT PROTECTED AND MAY NOT BE REPRODUCED IN WHOLE OR PART WITHOUT WRITTEN AUTHORITY FROM THE OWNER.

Client: Roberts Group

Project: Cae Du and Cae Canol Campsite

Dwg Title: Site Masterplan

Created on: 10/02/25  
Created by: BH  
Approved by: SR  
Scale: 1:1000  
Size: A1  
Workstage: Stage 2

Dwg No. 416-LST-XX-XX-DR-L-0002  
Suitability: S3  
Revision: P09

land studio